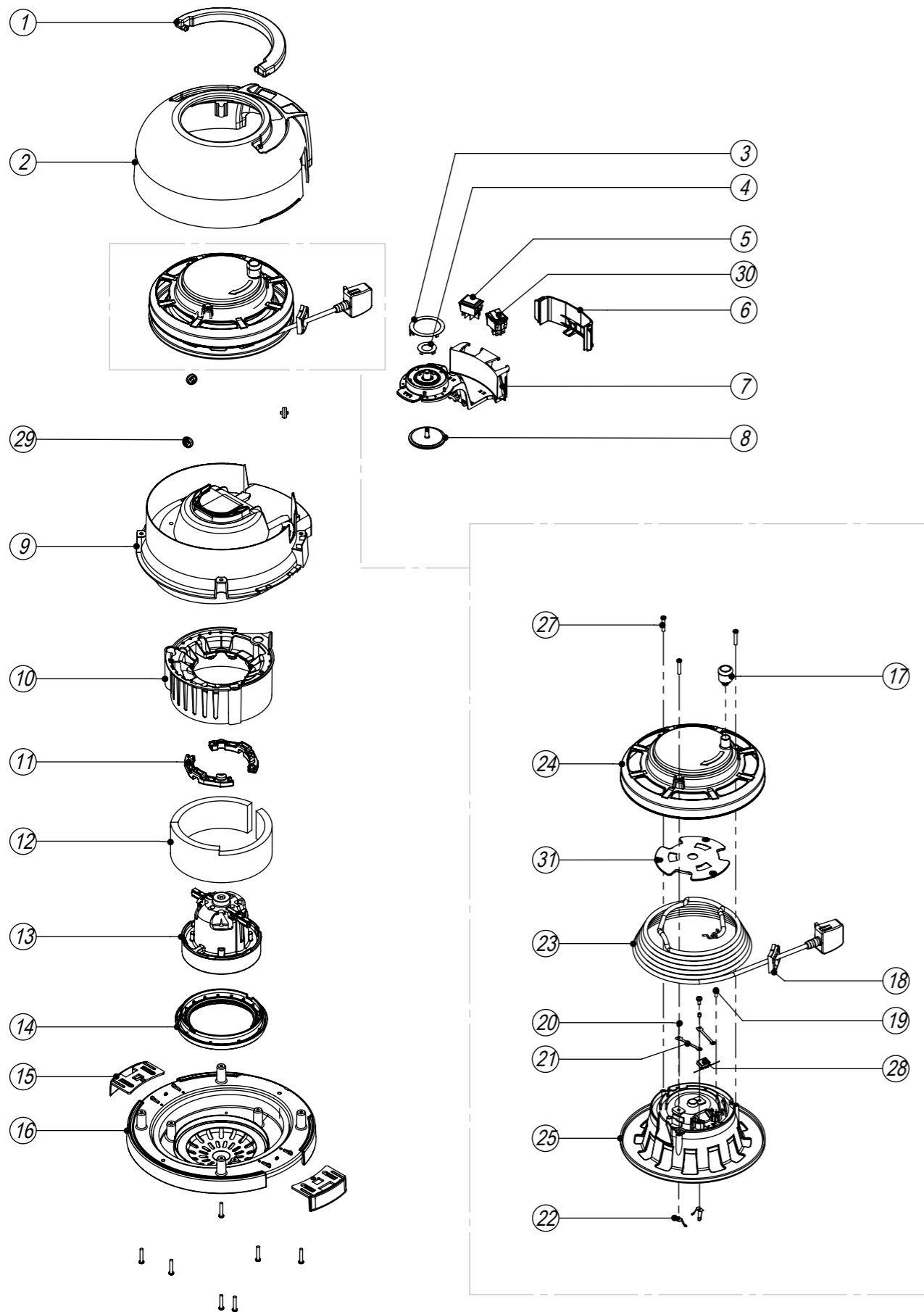


# Numatic International Spare Parts

**Model No:** HEAD STYLE 11 ASSEMBLY 1-STAGE 1-SPEED EXPLODED

DRAWING: DRW-19488 ISS:A16  
14/12/2017

**Models:** HVR/HET160



FOR WIRING DIAGRAMS PLEASE SEE DOC-21993 OR VISIT  
[www.numatic.co.uk/wiring-diagram.aspx](http://www.numatic.co.uk/wiring-diagram.aspx)

# Numatic International Spare Parts

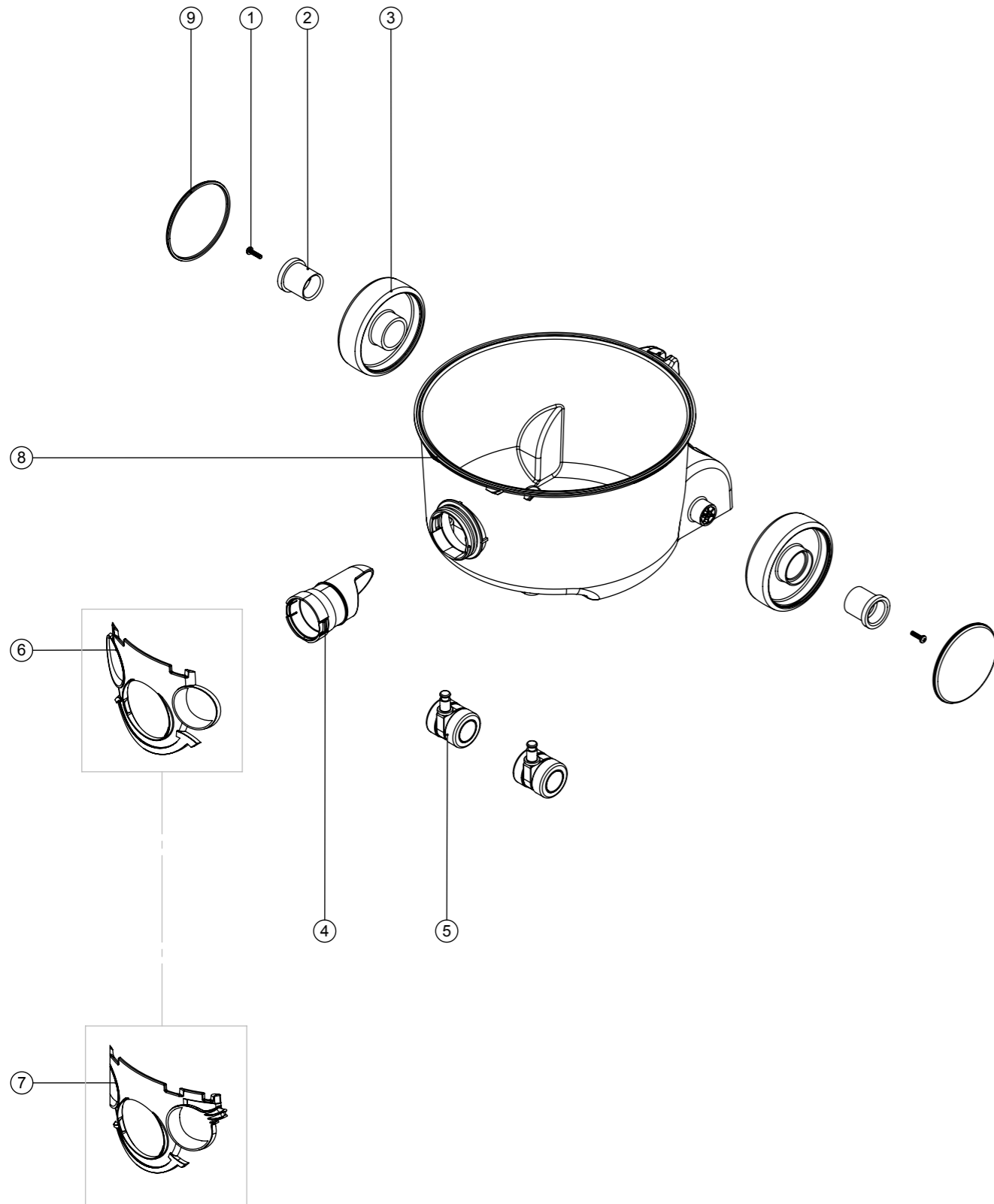
**Model No:** HEAD STYLE 11 ASSEMBLY 1-STAGE 1-SPEED EXPLODED

ITEM:	PART No:	Description	QTY.	COMMENTS:
1	227120	HANDLE - HVR/HET/NRV	1	
2	-	11" COVER - MOULDED ONLY	1	CONTACT NUMATIC FOR MORE DETAILS
3	227142	OUTER CONTACT RING	1	
4	227141	INNER CONTACT RING	1	
5	208885	NEON INDICATOR (EVEREL, B71121G000000)	1	
6	901591	COVER-MODULE-ELECTRICAL	1	
7	901589	MODULE-ELECTRICAL	1	
8	901590	INSULATOR (FR)	1	
9	901587	HOUSING-MOTOR-UPPER	1	
10	901613	CLAMP-MOTOR-LOWER	1	
11	901614	MOUNT-MOTOR	2	
12	901616	WRAP-ACOUSTIC	1	
13	205840	230V SINGLE STAGE THRO FLOW FAN MOTOR (DLI 653T) TCO (620)	1	
14	237089	BOTTOM MOTOR GASKET - CUP MOTOR	1	
15	901608	CATCH-SLIDING	2	
16	901586	HOUSING-MOTOR-LOWER	1	
17	229617	CABLE REEL WINDER KNOB ASSY	1	
18	237687	BLACK CABLE ENTRY - DEVELOPMENT - OPTION 2	1	
19	291151	M4 X 10MM LONG T20 SEMS SCREW Z/PL - PRODUCT CODE 8.8 - TX20 HEAD	2	
20	227103	CONTACT BUSH	2	
21	227145	CONNECTING STRIP	2	
22	230203	SPRING CONTACT (DOMED)	2	
23	236115	10.0MT X 0.75MM X 2 CORE (H05 V2V2-F) UK PLUG	1	CONTACT NUMATIC FOR MORE DETAILS IF REQUIRED
	236150	10.0MT x 1MM x 2 CORE (H05 V2V2-F) EURO PLUG	1	
24	901594	REELER-UPPER	1	
25	901596	REELER-LOWER WITH INSERTS (MT1702)	1	
27	291082	#8 SCREW 1"L T20 PAN HEAD P/L THREAD FORMING	10	
28	230096	SUPPRESSOR CAPACITOR ASSEMBLY WITH DISCHARGE RESISTOR (AS SUPPLIED)	1	
29	901009	ROLLER WHEEL	3	
30	230253	EVEREL ROCKER SWITCH	1	
31	905921	REELER PLATE - NEW (STAR LOCK)	1	

**Numatic International Spare Parts**

**Model No:** DRUM STYLE 8 - 11 INCH PLASTIC

-  
DRAWING: DRW-19489 ISS:A04  
08/05/2017



**Numatic International Spare Parts**

**Model No:** DRUM STYLE 8 - 11 INCH PLASTIC

ITEM:	PART No:	Description	QTY.	COMMENTS:
1	219105	No8 X 5/8 INCH LONG POZI PAN PLASTITE SCREW	2	
2	227868	WHEEL HUB FOR 2 SHOT WHEEL	2	
3	227640	2 SHOT WHEEL ASSEMBLY	2	
4	237119	FRONT FIT BAG CONNECTOR	1	
5	204000	40MM PU-TYRED BLACK TWIN WHEEL CASTOR	2	
6	901538	11" HENRY FACE - PRINTED	1	
7	901547	11" HETTY FACE - PRINTED	1	
8	-	DRUM STYLE 8 - PLASTIC 11"	1	CONTACT NUMATIC FOR DETAILS
9	-	WHEEL TRIM	2	CONTACT NUMATIC FOR DETAILS